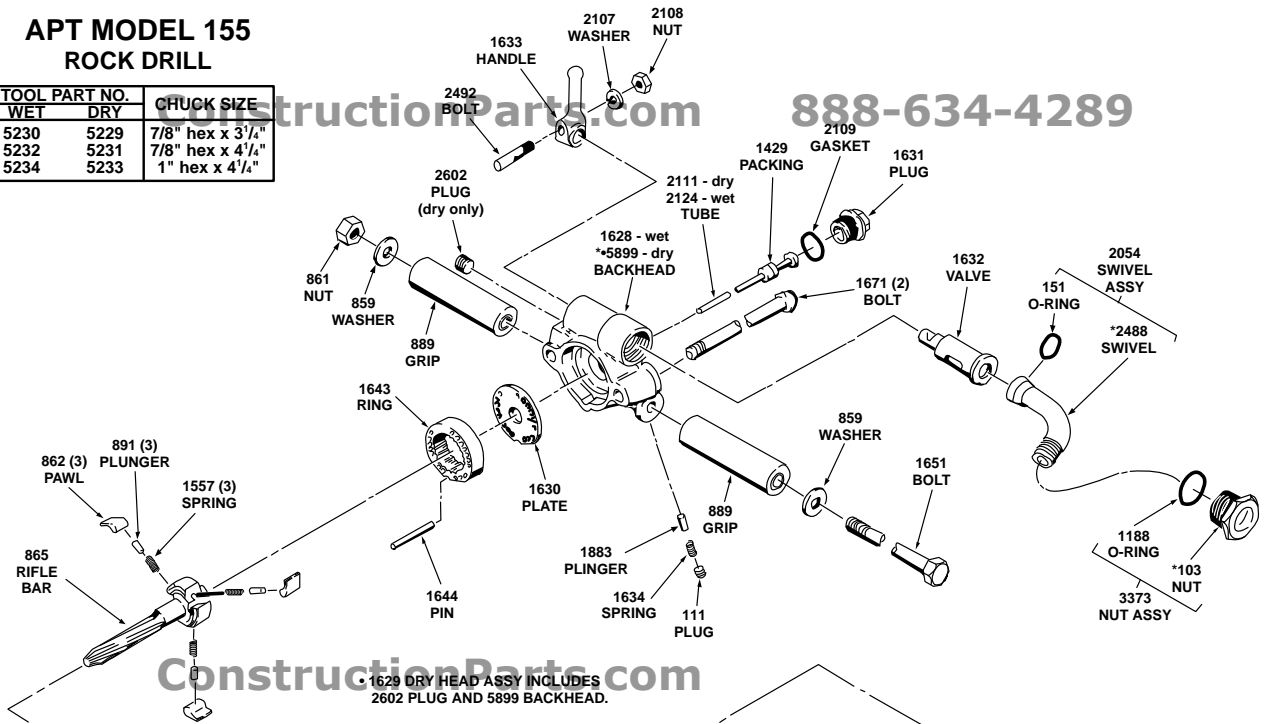


AMERICAN PNEUMATIC TOOL

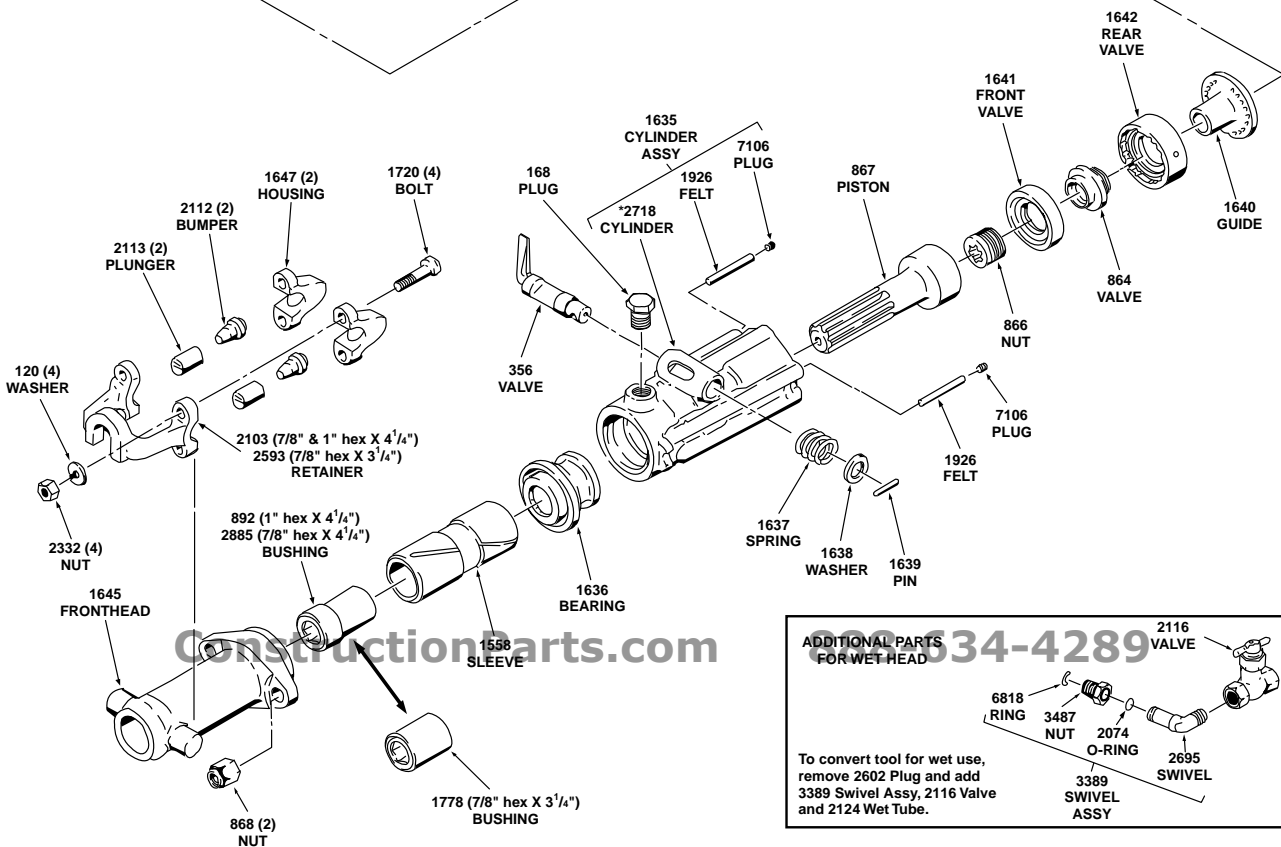
APT MODEL 155 ROCK DRILL

| TOOL PART NO. | CHUCK SIZE | |
|---------------|------------|-------------------|
| | WET | DRY |
| 5230 | 5229 | 7/8" hex x 3 1/4" |
| 5232 | 5231 | 7/8" hex x 4 1/4" |
| 5234 | 5233 | 1" hex x 4 1/4" |

ConstructionParts.com 888-634-4289



1629 DRY HEAD ASSY INCLUDES 2602 PLUG AND 5899 BACKHEAD.



888-634-4289

ADDITIONAL PARTS FOR WET HEAD

To convert tool for wet use, remove 2602 Plug and add 3389 Swivel Assy, 2116 Valve and 2124 Wet Tube.

*FOR REFERENCE ONLY (THESE PARTS NOT SOLD SEPARATELY)

